

ASSEMBLY INSTRUCTIONS FOR YOUR

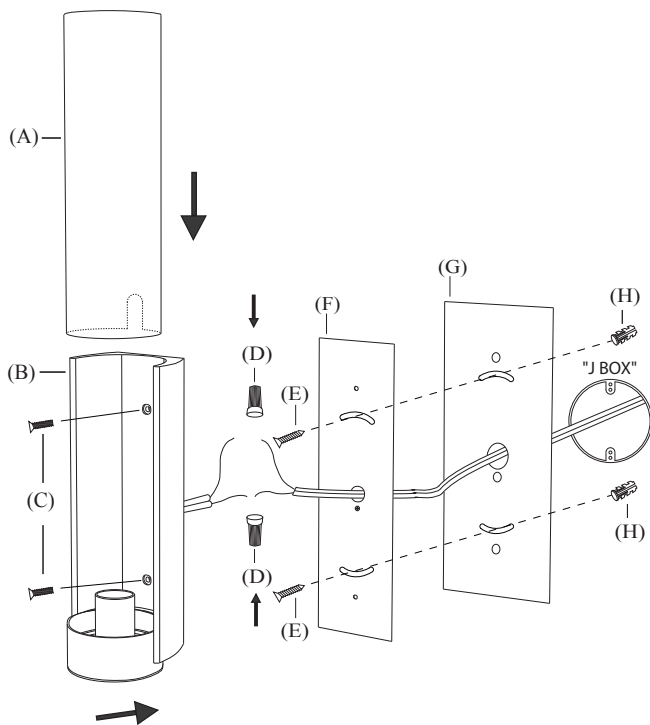
TYRONE  
SCONCE

**\*\*IT IS RECOMMENDED THAT A CERTIFIED LICENSED ELECTRICIAN  
INSTALL THIS FIXTURE\*\***

\*\*\*\*\*

***Warning: If any special control devices are used with this fixture, follow the instructions carefully to assure full compliance with N.E.C. requirements. If there are any questions, contact a qualified electrical contractor.***

\*\*\*\*\*



SHUT OFF MAIN ELECTRICAL SUPPLY FROM THE MAIN FUSE BOX/CIRCUIT BREAKER.

1. Remove all parts carefully from the box.
2. Remove backplate screws (C) from backplate (B).
3. Remove mounting plate (F) from backplate (B).
4. Determine if adapter plate (G) is needed to cover your outlet box. Adapter plate is necessary to cover a standard "J BOX". If using a smaller outlet box, optional adapter plate (G) is not necessary.
5. Guide wiring from outlet box through center hole in optional adapter plate (G) (if necessary), and mounting plate (F). Affix optional adapter plate (G) (if necessary) and mounting plate (F) to sheet rock above and below outlet box with screws (E), and molliers (H) provided.
6. Connect the ground (green) wire from outlet box to ground screw on mounting plate (F). Connect white or rough side of wire from fixture to white wire from outlet box using wire nuts (D). Connect black or smooth side of wire from fixture to black wire from outlet box using wire nuts (D).
7. Align holes in backplate (B) with screw holes in mounting plate (F) and optional adapter plate (G) (if necessary). Place backplate (B) over mounting plate (F) and optional adapter plate (G) (if necessary). Thread backplate screws (C) through backplate (B) and into mounting plate (D) to secure fixture to wall.
8. Install one (1) Type A, 60 watt maximum bulb into socket.
9. Align channel in glass shade (A) with wiring tube from socket at the bottom of backplate (B). Slide glass shade (A) down circular opening at the bottom of backplate (B) until glass shade (A) rests on the bottom of backplate (B).

CARE INSTRUCTIONS:

To clean, use a soft cloth only. DO NOT use any chemical or abrasive cleaners.