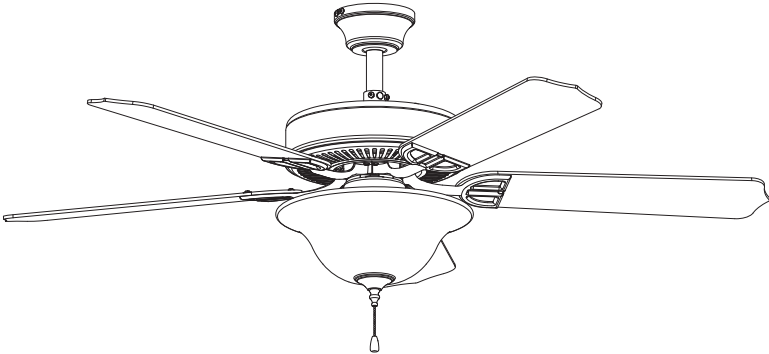
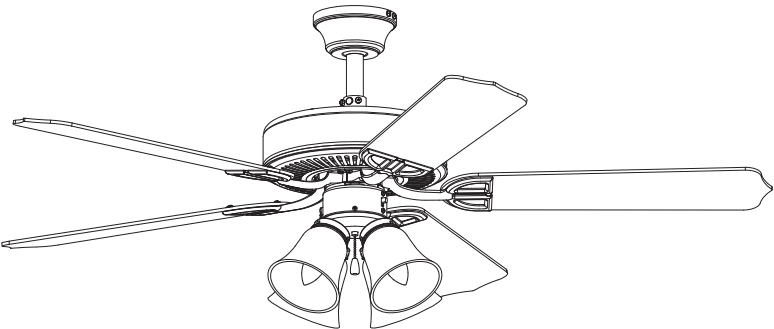




# AIRE DÉCOR® CEILING FAN

- MODEL # BP210B\*\*1
- MODEL # BP215B\*\*1
- MODEL # BP220B\*\*1
- MODEL # BP225B\*\*1



**ATTACH YOUR RECEIPT HERE AND REGISTER YOUR FAN AT FANIMATION.COM  
READ AND SAVE THESE INSTRUCTIONS**

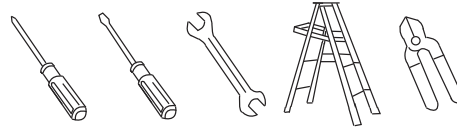
Serial Number _____	BP210B**1 Net Weight 19.10 lbs (8.66 kgs)
	BP215B**1 Net Weight 19.10 lbs (8.66 kgs)
Purchase Date _____	BP220B**1 Net Weight 18.50 lbs (8.39 kgs)
	BP225B**1 Net Weight 18.50 lbs (8.39 kgs)



**Questions, problems, missing parts?** Before returning to your retailer, call our customer service department at 1-888-567-2055, 8 a.m.-5 p.m., EST, Monday-Friday.

# 1. TOOLS AND MATERIALS REQUIRED

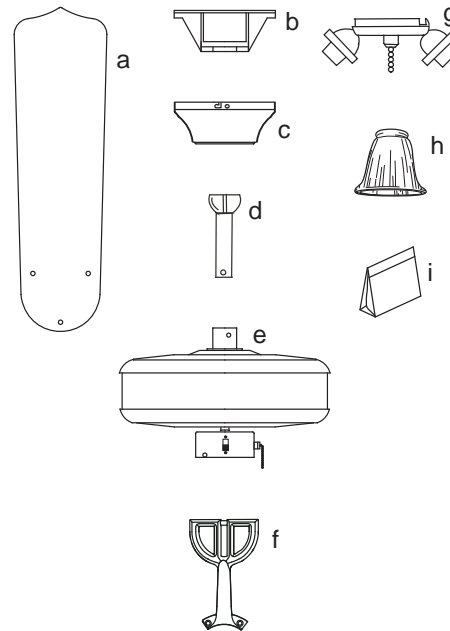
- Philips screw driver
- Blade screw driver
- 11 mm wrench
- Step ladder
- Wire cutters



# 2. PACKAGE CONTENTS

Unpack your fan and check the contents. You should have the following items:

- a. Blade set (5)
- b. Hanger bracket
- c. Canopy
- d. Downrod
- e. Fan motor assembly
- f. Blade bracket set (5)
- g. Light kit (Optional)
- h. Glass shades (3) (Optional)
- i. Package hardware
  - 1) wire nuts (4)
  - 2) Blade attachment hardware: screws (16), fiber or rubber washers (16)
  - 3) Pull chain and fobs
  - 4) Blade holder attachment hardware: screws (11)



# 3. SAFETY RULES

1. To reduce the risk of electric shock, insure electricity has been turned off at the circuit breaker or fuse box before beginning.
2. All wiring must be in accordance with the National Electrical Code and local electrical codes. Electrical installation should be performed by a qualified licensed electrician.
3. **WARNING:** To reduce the risk of electrical shock and fire, do not use this fan with any solid-state fan speed control device.
4. **WARNING:** To reduce the risk of personal injury, use only the two steel screws (and lock washers) provided with the outlet box for mounting to the outlet box. Most outlet boxes commonly used for the support of lighting fixtures are not acceptable for fan support and may need to be replaced, consult a qualified electrician if in doubt.
7. Do not operate reversing switch while fan blades are in motion. Fan must be turned off and blades stopped before reversing blade direction.
8. Avoid placing objects in the path of the blades.
9. To avoid personal injury or damage to the fan and other items, be cautious when working around or cleaning the fan.
10. Do not use water or detergents when cleaning the fan or fan blades. A dry dust cloth or lightly dampened cloth will be suitable for most cleaning.
11. After marking electrical connections, spliced conductors should be turned upward and pushed carefully up into outlet box. The wires should be spread apart with the grounded conductor and the equipment-grounding conductor on one side of the outlet box.

**WARNING**  
 TO REDUCE THE RISK OF FIRE, ELECTRIC SHOCK OR PERSONAL INJURY, MOUNT FAN TO OUTLET BOX MARKED "ACCEPTABLE FOR FAN SUPPORT".

5. The outlet box and support structure must be securely mounted and capable of reliably supporting a minimum of 50 pounds. Use only UL Listed outlet boxes marked "**FOR FAN SUPPORT**".
6. The fan must be mounted with a minimum of 7 feet clearance from the trailing edge of the blades to the floor.

**WARNING**  
 TO REDUCE THE RISK OF PERSONAL INJURY, DO NOT BEND THE BLADE BRACKETS (ALSO REFERRED TO AS FLANGES) DURING ASSEMBLY OR AFTER INSTALLATION. DO NOT INSERT OBJECTS IN THE PATH OF THE BLADES.

## 4. MOUNTING OPTIONS

If there isn't an existing UL listed mounting box, then read the following instructions. Disconnect the power by removing fuses or turning off circuit breakers.

Secure the outlet box directly to the building structure. Use appropriate fasteners and building materials. The outlet box and its support must be able to fully support the moving weight of the fan (at least 50 lbs). Do not use plastic outlet boxes.

Figures 1, 2 and 3 are examples of different ways to mount the outlet box.

**Note:** You may need a longer downrod to maintain proper blade clearance when installing on a steep, sloped ceiling. (Fig. 3)

To hang your fan where there is an existing fixture but no ceiling joist, you may need an installation hanger bar as shown in Figure 4.

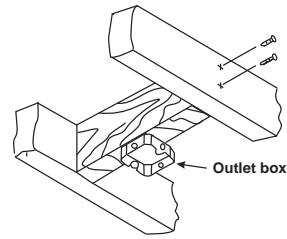


Figure 1

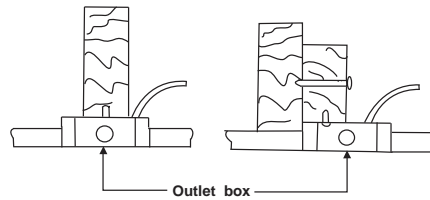


Figure 2

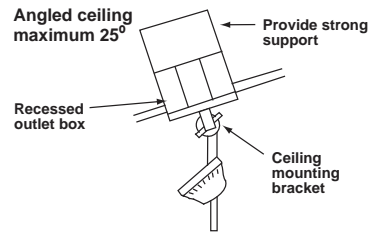


Figure 3

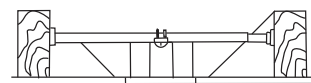


Figure 4

## 5. HANGING THE FAN

**REMEMBER** to turn off the power. Follow the steps below to hang your fan properly. **NOTE:** This ceiling fan is supplied with two types of hanging assemblies; the standard ceiling installation using the downrod with ball and socket mounting and the "close-to-ceiling" installation. The "close-to-ceiling" installation is recommended in rooms with less than 8-foot ceilings or in areas where additional space is desired from the floor to the fan blades.

### STANDARD CEILING INSTALLATION

Step 1. Pass the 120-volt supply wires through the center hole in the ceiling hanger bracket as shown in Fig. 5.

Step 2. Secure the hanger bracket to the ceiling outlet box with the screws and washers provided with your outlet box.

Step 3. Remove hanger ball from downrod assembly by loosening set screws, removing the cross pin, and sliding ball off rod. (Fig. 6)

Step 4. Loosen the two set screws and remove the hitch pin and lock pin from the top coupling of the motor assembly. (Fig. 7)

Step 5. Carefully feed the fan wires up through the downrod. Thread the downrod into the coupling until the Hitch pin holes are aligned. Next, replace the lock clip and hitch pin then tighten the set screws. (Fig. 7)

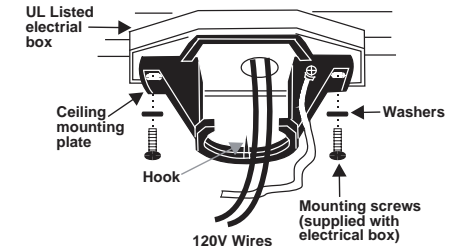


Figure 5

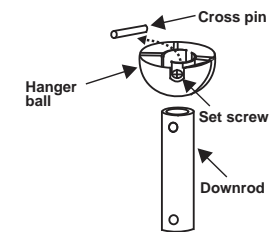


Figure 6

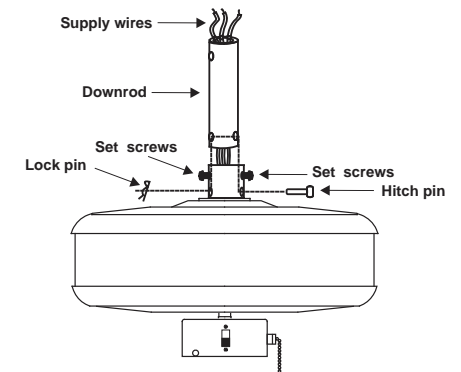


Figure 7

Step 6. Slip canopy onto downrod. Carefully reinstall hanger ball onto rod being sure that cross pin is in correct position, the set screw on hanger ball is tight and wires are not twisted. (Fig. 8)

Step 7. Now lift the motor assembly into position and place the hanger ball into the hanger bracket. Rotate until the "Check Tab" has dropped into the "Registration Slot" and seats firmly. (Fig. 9). The entire motor assembly should not rotate if this is done correctly.

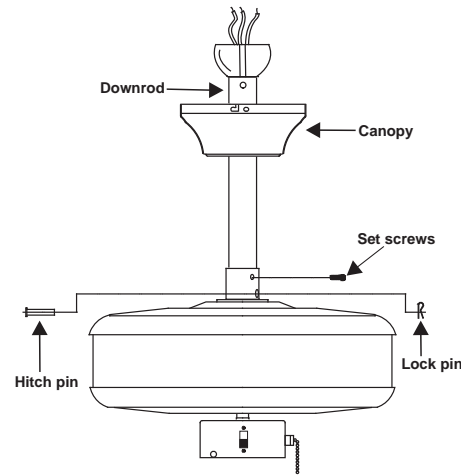


Figure 8

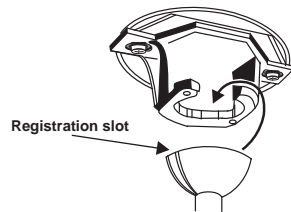


Figure 9

## CLOSE-TO-CEILING INSTALLATION

1. Remove the decorative canopy bottom cover from the canopy. (Fig. 10)
2. Pass the 120-volt supply wires through the center hole in the ceiling hanger bracket as shown in Fig. 5.
3. Secure the hanger bracket to the ceiling outlet box with the screws and washers provided with your outlet box.
4. Remove three of the six screws and lock washers (every other one) from the collar of top motor (Fig. 11)
5. Place the ceiling canopy over the collar at the top of the motor. Align the mounting holes with the holes in the motor and fasten using the screws and lock washers provided (Fig. 11).
6. Tighten the mounting screws securely. (Fig. 11)

**WARNING:** Failure to completely tighten the three screws in step 5 could result in fan loosening and possibly falling.

7. Hang the fan on the hook of the hanger bracket. Be certain that the canopy is fully locked into hook as shown in Fig. 12. This will allow you to make the electrical connections.

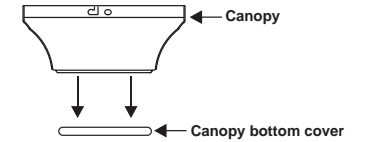


Figure 10

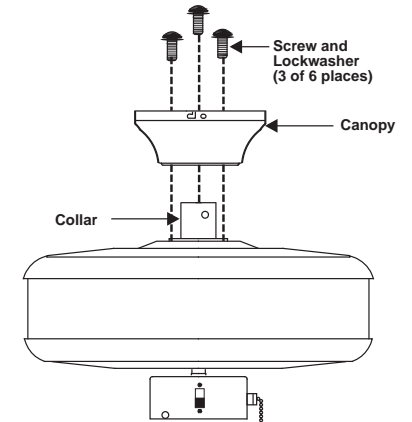


Figure 11

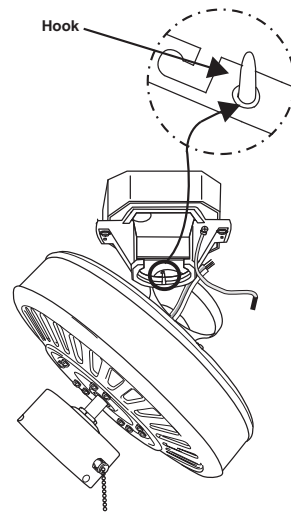


Figure 12

## 6. MAKE THE ELECTRIC CONNECTIONS

**Remember** to disconnect the power. Follow the steps below to connect the fan to your household wiring. Use the wire connecting nuts supplied with your fan. Secure the connectors with electrical tape. Make sure there are no loose strands or connections.

Step 1 Connect the fan supply (black) wire and light supply (blue) wire to the black household supply wire as shown in Figure 13.

Step 2. Connect the netura fan (white) wire to the white netura household wire.

Step 3 Connect the fan ground wire (green) to the household ground wire.

Step 4 After connecting the wires, spread them apart so that the green and white wires are on one side of the outlet box and the black and the blue wires are on the other side.

Step 5 Turn the connecting nuts upward and push the wiring into the outlet box.

Figures 14 and 15 illustrate the wiring connections for optional wall control (The wire color out of wall control may vary, see wall control's installation manual for correct wire connections.)

**WARNING:** TO REDUCE THE RISK OF FIRE, ELECTRIC SHOCK, OR OTHER PERSONAL INJURY. MOUNT FAN ONLY ON AN OUTLET BOX OR SUPPORTING SYSTEM MARKED ACCEPTABLE FOR FAN SUPPORT.

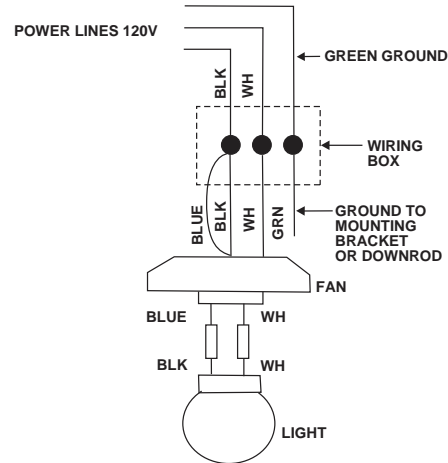


Figure 13

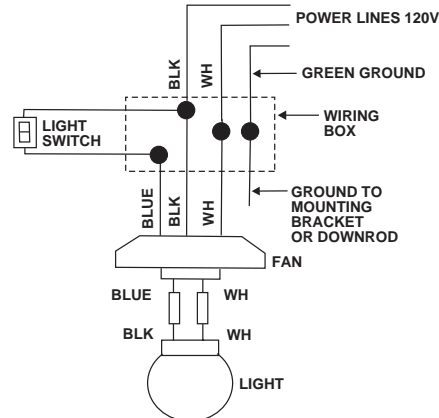


Figure 14

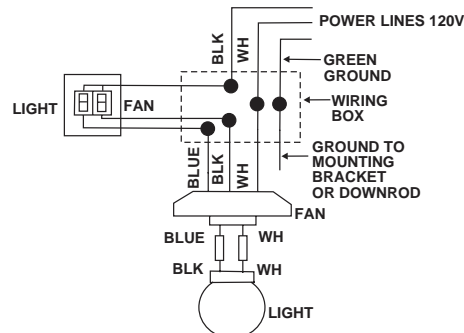


Figure 15

## 7. FINISHING THE INSTALLATION

### STANDARD CEILING INSTALLATION

Slide canopy up to the ceiling as shown in Figure 16. Make sure you place the wires safely into the outlet box. Secure the canopy to the hanger bracket with the four screws with your fan.

### CLOSE-TO-CEILING INSTALLATION

Remove the fan from the hook on the hanger bracket. Secure the canopy to the hanger bracket as shown in Figure 17 with four screws included with your fan.

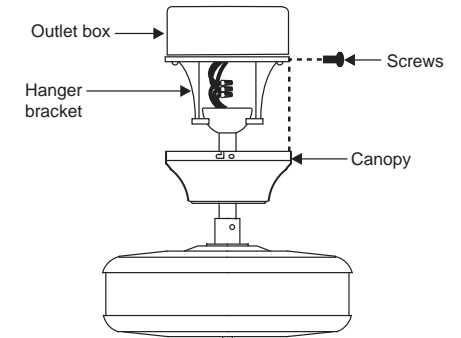


Figure 16

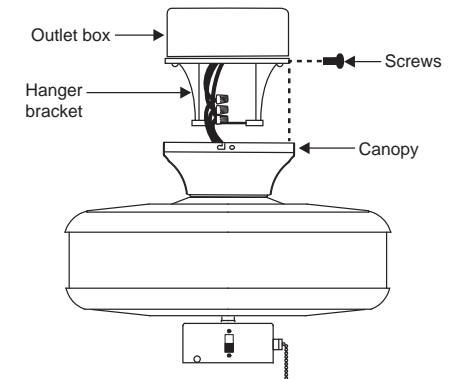


Figure 17

## 8. ATTACHING THE FAN BLADES

**Caution:** Remove 5 rubber packing mounts and discard before installation.

Step 1 Attach the blade to the blade bracket using the screws and fiber washers as shown in Figure 18. Start screw into bracket. Repeat for the two remaining screws.

Step 2 Tighten each screw. Make sure the blade is straight.

Step 3 Fasten blade assembly to motor using the screws supplied. (Fig. 18)

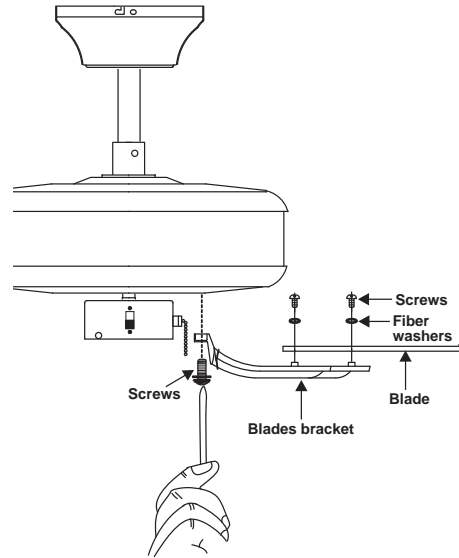


Figure 18

## 9. INSTALLING THE LIGHT KIT (OPTIONAL)

**NOTE:** Before starting installation, disconnect the power by turning off the circuit breaker or removing the fuse at fuse box. Turning power off using the fan switch is not sufficient to prevent electric shock.

Step 1. Remove the three screws from the fitter of light kit.

Step 2. Raise and hold the light kit close to the switch housing and proceed to do the wire connections, connect the blue wire from the switch housing to the black wire from the light kit. follow the same procedure with the black connectors. Use the wire connecting nuts supplied with your fan. (Fig. 19)

Step 3. Attach the light kit to the switch housing by using the three (3) screws that remove on the Step 1. (Fig. 19)

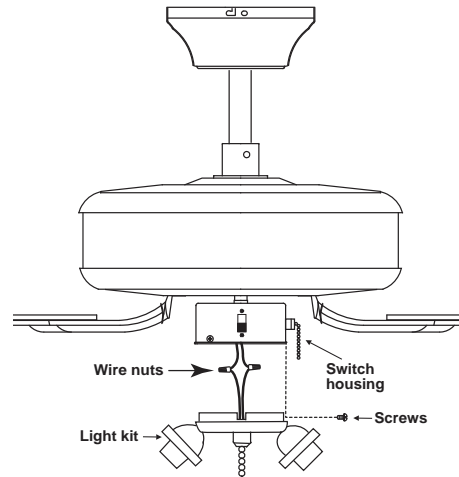


Figure 19

## 10. INSTALLING THE LIGHT BULBS AND GLASS SHADES (OPTIONAL)

**NOTE:** Before starting installation, disconnect the power by turning off the circuit breaker or removing the fuse at fuse box. Turning power off using the fan switch is not sufficient to prevent electric shock.

1. Insert the glass shades into the light kit with the thumb screws. (Fig. 20)
2. Install 40W candelabra bulbs (included). (Fig. 20)
3. Restore power and your light kit is ready for operation.

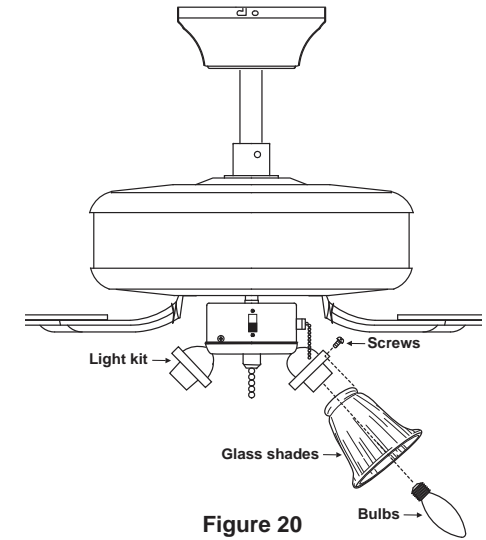


Figure 20

1. Install 60W candelabra bulbs (included). (Fig. 21)
2. Secure bowl glass to light fitter using supplied nut. Next install trim cover followed by the finial.
3. Restore power and your light kit is ready for operation.

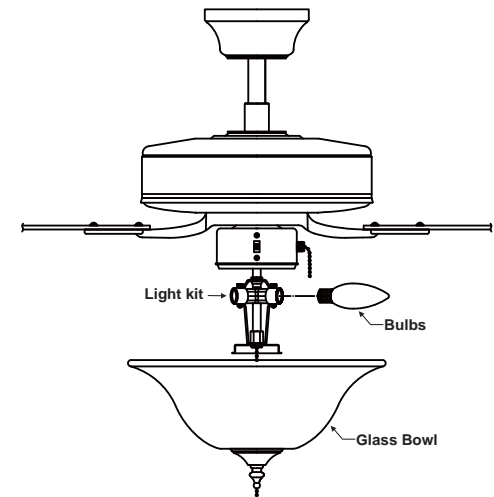


Figure 21

## 11. OPERATING YOUR FAN

Turn on the power and check the operation of your fan. The pull chain controls the fan speed as follows:

1. 3-speed pull chain: controls fan speed in the following sequence: Off - High - Medium - Low - Off.

### Ceiling fan performance and energy savings rely heavily on the proper installation and use of the ceiling fan.

Speed settings for warm or cool weather depend on a variety of factors such as room size, ceiling height and number of fans. For best energy efficiency, fan should be mounted in the middle of the room and at least 7 feet above the floor and 18 inches from the walls. If ceiling height allows, install the fan 8 - 9 feet above the floor for optimal airflow.

2. Light kit pull chain (optional): turns light kit "ON" or "OFF".

The slide switch controls directions: forward (switch down) or reverse (switch up).

**NOTE:** Wait for fan to stop before changing the setting of the slide switch.

Warm weather - (Forward) A downward airflow creates a cooling effect as shown in Fig. 21. This allows you to set your air conditioner on a warmer setting without affecting your comfort.

Cool weather - (Reverse) An upward airflow moves warm air off the ceiling area as shown in Fig. 22. This allows you to set your heating unit on a cooler setting without affecting your comfort.

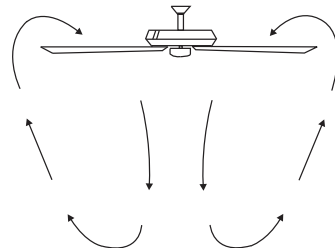


Figure 21

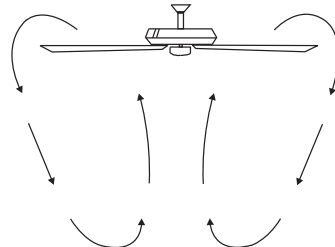


Figure 22

### ENERGY SAVING TIP: Turn off fan when not in room

Ceiling fans cool people, not rooms. If the room is unoccupied, turn off the ceiling fan to save energy.

## 13. TROUBLESHOOTING

Problem	Solution
Fan will not start.	<ol style="list-style-type: none"> <li>1. Check circuit fuses or breakers.</li> <li>2. Check line wire connections to the fan and switch wire connections in the switch housing. <b>CAUTION:</b> Make sure main power is off.</li> </ol>
Fan sounds noisy.	<ol style="list-style-type: none"> <li>1. Make sure all motor housing screws are snug.</li> <li>2. Make sure the screws that attach the fan blade bracket to the motor hub is tight.</li> <li>3. Make sure wire nut connections are not rubbing against each other or the interior wall of the switch housing. <b>CAUTION:</b> Make sure main power is off.</li> <li>4. Allow a 24-hour "breaking-in" period. Most noise associated with a new fan disappear during this time.</li> <li>5. If using an optional light kit, make sure the screws securing the glassware are tight. Check that light bulb is also secure.</li> <li>6. Some fan motors are sensitive to signals from solid-state variable speed controls. If you have installed this type of control, choose and install another type of control.</li> <li>7. Make sure the upper canopy is a short distance from the ceiling. It should not touch the ceiling.</li> </ol>
Fan wobble.	<ol style="list-style-type: none"> <li>1. Check that all blade and blade arm screws are secure.</li> <li>2. Most fan wobbling problems are caused when blade levels are unequal. Check this level by selecting a point on the ceiling above the tip of one of the blades. Measure this distance. Rotate the fan until the next blade is positioned for measurement. Repeat for each blade. The distance deviation should be equal within 1/8".</li> <li>3. If the blade wobble is still noticeable, interchanging two adjacent (side by side) blades can redistribute the weight and possibly result in smoother operation.</li> </ol>

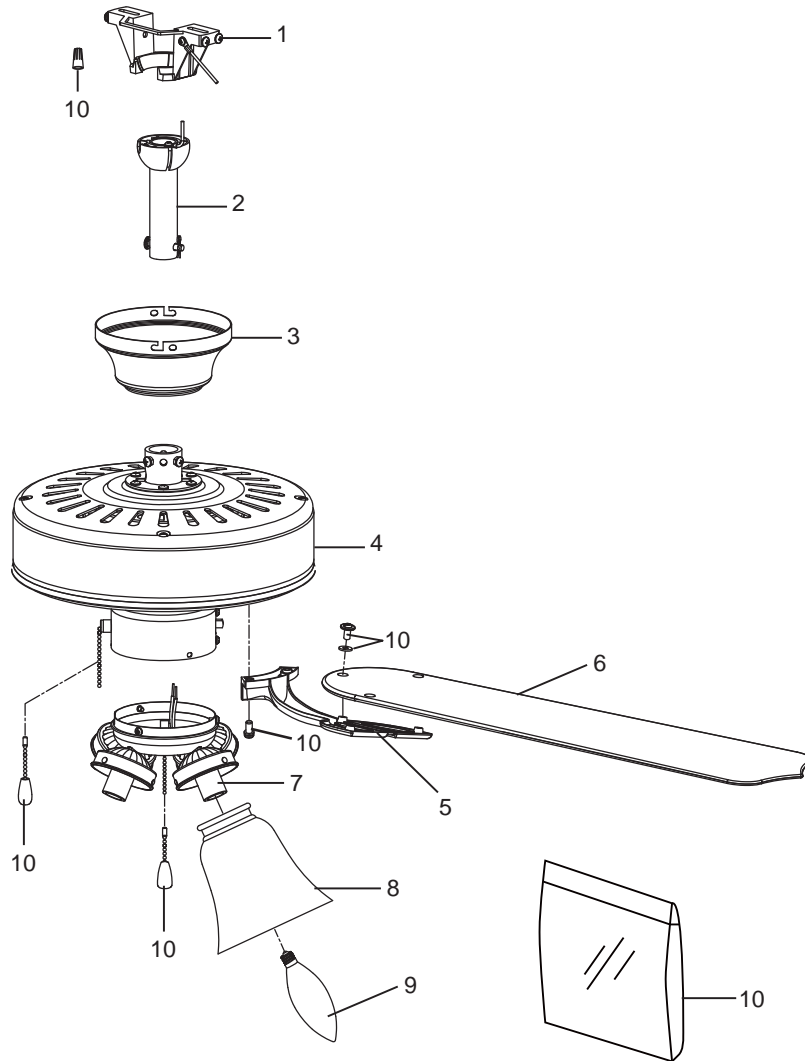
## 12. CARE OF YOUR FAN

Here are some suggestions to help you maintain your fan

1. Because of the fan's natural movement, some connections may become loose. Check the support connections, brackets, and blade attachments twice a year. Make sure they are secure. (It is not necessary to remove fan from ceiling.)
2. Clean your fan periodically to help maintain its new appearance over the years. Use only a soft brush or lint-free cloth to avoid scratching the finish. The plating is sealed with a lacquer to minimize discoloration or tarnishing. Do not use water when cleaning. This could damage the motor, or the wood, or possibly cause an electrical shock.
3. You can apply a light coat of furniture polish to the wood blades for additional protection and enhanced beauty. Cover small scratches with a light application of shoe polish.
4. There is no need to oil your fan. The motor has permanently lubricated bearings.

**IMPORTANT:** MAKE SURE THE POWER IS OFF AT THE ELECTRICAL PANEL BOX BEFORE YOU ATTEMPT ANY REPAIRS. REFER TO THE SECTION "MAKING ELECTRICAL CONNECTIONS".

BP210B\*\*1 & BP215B\*\*1  
Exploded-View Illustration



**NOTE:** The illustrations shown is not to scale or its actual parts configuration may vary.

Parts List  
Model # BP210B\*\*1 & BP215B\*\*1

Ref.#	Description	BP210B**1 Part #	BP215B**1 Part #
1	Hanger Bracket Assembly	APGAC111**	APGAC111BL
2	Ball Downrod Assembly	ADRAC1-45**	ADRAC1-45OB
3	Ceiling Canopy	APPAC1002**	APPAC1002OB
4	Motor Assembly	AMA0210B**1	AMA0215BOB1
5	Blade Holder Set	AP020012**	AP020012OB
6	Blade Set	AP020003**	AP020003OB
7	Fitter	F210B**	F210BOB
8	Glass	P021501**	P021501F
9	LED Bulb	PPLSE12L0400	PPLSE12L0400
10	<i>Hardware Bag Containing:</i>	HDWBP210B**	HDWBP210B**
	Wire Connectors (4)		
	Pull Chain Kits Assembly (2)		
	<i>Blade Mounting Hardware Bag Containing:</i>		
	3/16"-24 Washer Head Screws with Fiber Washers (16)		
	<i>Blade Holder Mounting Hardware Bag Containing:</i>		
	1/4"-20 Phillips Head Screws with Lock Washers (11)		

\*\* Refer to fan model number located on down rod support  
Before discarding packaging materials, be certain all parts have been removed

**How To Order Parts**

When ordering repair parts, always give the following information:

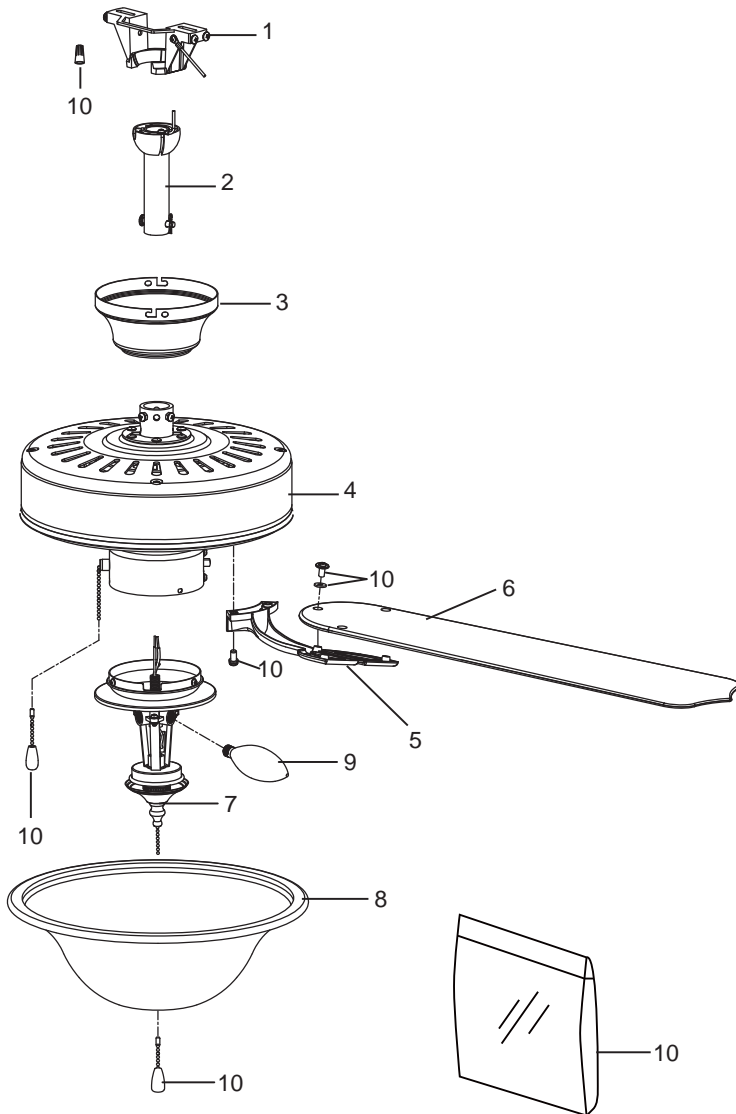
- Part Number
- Part Description
- Fan Model Number

Contact your retail store for repair parts.



BP220B\*\*1 & BP225B\*\*1

Exploded-View Illustration



**NOTE:** The illustrations shown is not to scale or its actual parts configuration may vary.

Parts List  
Model # BP220B\*\*1 & BP225B\*\*1

Ref. #	Description	BP220B**1 Part #	BP225B**1 Part #
1	Hanger Bracket Assembly	APGAC111**	APGAC111BL
2	Ball Downrod Assembly	ADRAC1-45**	ADRAC1-45OB
3	Ceiling Canopy	APPAC1002**	APPAC1002OB
4	Motor Assembly	AMA0220B**1	AMA0225BOB1
5	Blade Holder Set	AP020012**	AP020012OB
6	Blade Set	AP020003**	AP020003CYWA
7	Fitter	F220B**	F220BOB
8	Glass	P022001**	P022001F
9	LED Bulb	PPLSE12L0400	PPLSE12L0400
10	<i>Hardware Bag Containing:</i>	HDWBP210B**	HDWBP210B**
	Wire Connectors (4)		
	Pull Chain Kits Assembly (2)		
	<i>Blade Mounting Hardware Bag Containing:</i>		
	3/16"-24 Washer Head Screws with Fiber Washers (16)		
	<i>Blade Holder Mounting Hardware Bag Containing:</i>		
	1/4"-20 Phillips Head Screws with Lock Washers (11)		

\*\*Refer to fan model number located on down rod support

**Before discarding packaging materials, be certain all parts have been removed**

**How To Order Parts**

When ordering repair parts, always give the following information:

- Part Number
- Part Description
- Fan Model Number

Contact your retail store for repair parts.



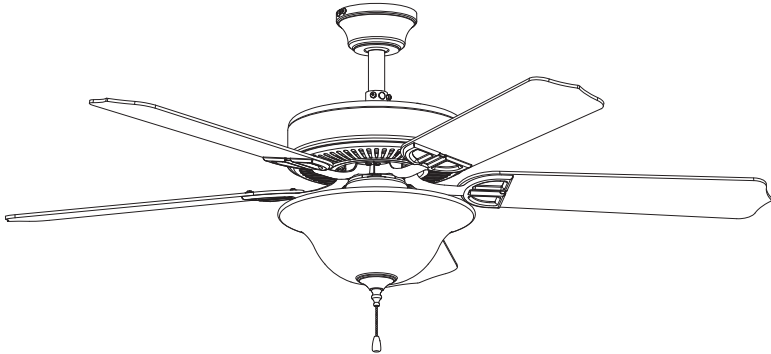
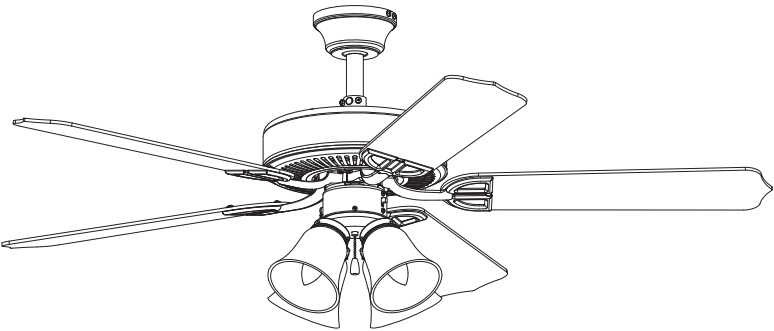
10983 Bennett Parkway  
Zionsville, IN 46077  
888) 567-2055 • FAX (866) 482-5215  
Outside U.S. call (317) 733-4113  
WWW.FANIMATION.COM

Copyright 2019 Fanimation  
2019/02 V.01



**VENTILADOR DE TECHO AIRE DÉCOR®**

- MODELO# BP210B\*\*1
- MODELO# BP215B\*\*1
- MODELO# BP220B\*\*1
- MODELO# BP225B\*\*1



**ADJUNTE SU RECIBO AQUÍ Y REGISTRE SU VENTILADOR EN FANIMATION.COM  
LEA Y GUARDE ESTAS INSTRUCCIONES**

Número de serie \_\_\_\_\_

Fecha de compra \_\_\_\_\_

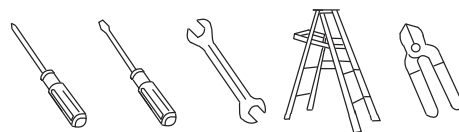
- BP210B\*\*1 Peso neto 8.66 kgs (19.10 lbs)
- BP215B\*\*1 Peso neto 8.66 kgs (19.10 lbs)
- BP220B\*\*1 Peso neto 8.39 kgs (18.50 lbs)
- BP225B\*\*1 Peso neto 8.39 kgs (18.50 lbs)



**Preguntas, problemas, piezas faltantes?** Antes de volver a la tienda, llame a nuestro Departamento de Servicio al Cliente al 1-888-567-2055, 8 a.m. - 5 pm, hora del Este, de lunes - viernes.

## 1. HERRAMIENTAS Y MATERIALES NECESARIOS

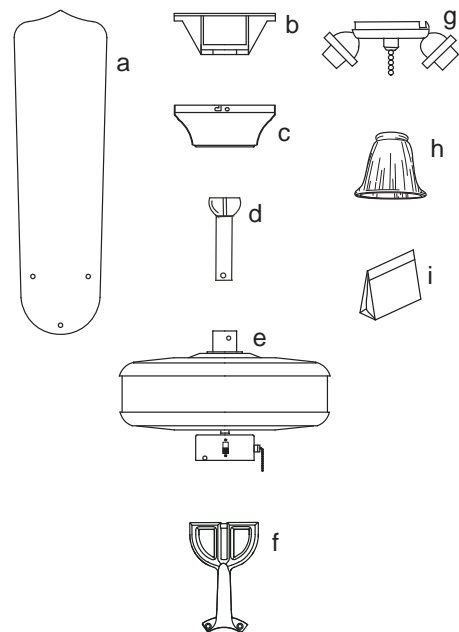
- Destornillador Phillips
- Destornillador
- Llave inglesa de 11 mm
- Escalera de tijera
- Pelacables



## 2. CONTENIDO DEL PAQUETE

Abra el paquete y compruebe el contenido. Debería tener los siguientes elementos:

- a. Juego de palas (5)
- b. Unidad del soporte de suspensión
- c. Capuchón de techo
- d. Unidad del barral/de la semiesfera
- e. Unidad del motor del ventilador
- f. Soportes de palas (5)
- g. Unidad del kit de iluminación (Opcional)
- h. Pantallas de cristal (3) (Opcional)
- i. Bolsas de accesorios
  - 1) Conectores de cables (4)
  - 2) Hardware de fijación de pala: Tornillo (16), arandela de fibra o arandela de goma (16)
  - 3) Cadena del ventilador y cinta de la cadena
  - 4) Hardware de fijación de soportes de pala: Tornillos (11)



## 3. MEDIDAS DE SEGURIDAD

1. Para reducir el riesgo de descarga eléctrica, asegúrese de que se ha desconectado la electricidad en el cuadro de mandos o en la caja de fusibles antes de comenzar.
  2. Todo el cableado debe realizarse siguiendo la normativa eléctrica local y la norma eléctrica nacional. La instalación eléctrica debe realizarse por un electricista cualificado y autorizado.
  3. **ADVERTENCIA:** Para reducir el riesgo de incendio y descarga eléctrica, no use este ventilador con cualquier dispositivo de control de velocidad de ventilador de estado sólido.
  4. **ADVERTENCIA:** Para reducir el riesgo de daño personal, use solo los dos tornillos de acero (y arandelas de cierre) suministrados con la caja de conexiones. La mayoría de estas cajas usadas normalmente para el soporte de fijaciones de iluminaciones no son adecuadas para el soporte de ventiladores y es posible que tenga que cambiarlas. Consulte a un electricista si tuviera alguna duda.
- ADVERTENCIA**  
 PARA REDUCIR EL RIESGO DE INCENDIO, DESCARGA ELÉCTRICA O DAÑO PERSONAL, INSTALE EL VENTILADOR EN UNA CAJA DE CONEXIONES QUE VENGA MARCADA CON "ADECUADA PARA EL SOPORTE DE VENTILADORES".
5. La caja de conexiones y la estructura de soporte deben estar instaladas correctamente y deben ser capaces de soportar un peso mínimo de 50 libras. Use solo las cajas de conexiones clasificadas como UL y marcadas como "ADECUADAS PARA VENTILADOR".
  6. El ventilador debe instalarse a un mínimo de 7 pies de distancia del extremo de alcance de las palas hasta el suelo.
  7. No use el interruptor de reverso mientras las palas del ventilador se estén moviendo. El ventilador debe apagarse y las palas deben pararse antes de revertir la dirección de las palas.
  8. Evite colocar objetos en el recorrido de las palas.
  9. Para evitar cualquier herida personal o daño al ventilador y otros elementos, tenga cuidado cuando esté trabajando cerca del mismo o cuando lo esté limpiando.
  10. No use agua o detergentes cuando limpie el ventilador o sus palas. Un paño suave y seco o un paño ligeramente húmedo es adecuado para su limpieza en la mayoría de los casos.
  11. Tras realizar las conexiones eléctricas, los cables que sobresalgan deberán colocarse hacia arriba y meterlos dentro de la caja de conexiones. Los cables deben separarse del cable de toma de tierra y del cable de toma de tierra del equipo a un lado de la caja de conexiones.
  12. Los diagramas eléctricos solo son una referencia. El kit de iluminación que no venga integrado en el paquete del ventilador debe estar clasificado como UL y debe estar marcado como adecuado para el uso con el modelo de ventilador que esté instalando. Los interruptores deben ser de uso general UL. Consulte las instrucciones que vienen en el paquete sobre kits de iluminación e interruptores para realizar una instalación correcta.
- ADVERTENCIA**  
 PARA REDUCIR EL RIESGO DE DAÑO PERSONAL, NO DOBLE LOS SOPORTES DE LAS PALAS (TAMBIÉN REFERIDAS COMO REBORDES) DURANTE LA INSTALACIÓN O DESPUÉS DE LA MISMA. NO INSERTE NINGÚN OBJETO EN EL RECORRIDO DE LAS PALAS.

## 4. OPCIONES DE MONTAJE

Si no hay una caja de montaje clasificado como UL, entonces lea las siguientes instrucciones. Desconecte la electricidad extrayendo los fusibles o desactivando los interruptores de circuito.

Asegure la caja de distribución eléctrica en la estructura de construcción. Use fijadores apropiados y materiales de construcción. La caja de distribución eléctrica y su soporte debe ser capaz de soportar completamente el peso móvil del ventilador (al menos 50 libras). No use las cajas de distribución de plástico

Figura 1, 2 y 3 son ejemplos de diferentes formas para instalar la caja de distribución.

**Nota:** Puede necesitar una varilla interior más larga para mantener la distancia de pala adecuada cuando instale el ventilador en un techo inclinado y en pendiente. (Figura 3).

Para colgar su ventilador donde haya un elemento fijo pero no haya una viga de techo, puede necesitar una barra colgante de instalación como se muestra en la Figura 4.

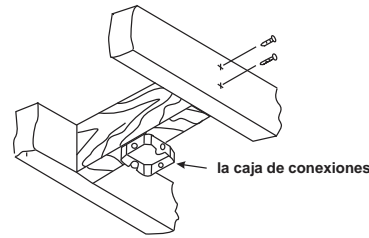


Figura 1

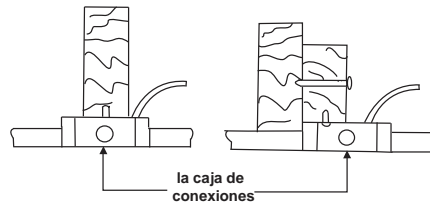


Figura 2

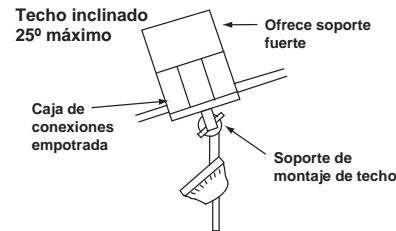


Figura 3

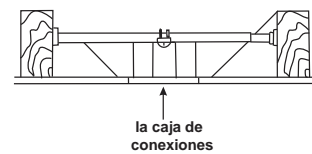


Figura 4

## 5. COLGADO DEL VENTILADOR

**RECUERDE** que debe desconectar la electricidad. Siga los pasos que se muestran a continuación para colgar su ventilador de forma correcta. **NOTA:** Este ventilador de techo viene con dos tipos de sistemas de colgado; la instalación de techo estándar usando una varilla interior con bola y el montaje de soporte, y la instalación "cercana al techo". La instalación "cercana al techo" se recomienda en habitaciones con una altura de techo inferior a los 8 pies o en zonas donde se desea tener un espacio adicional entre el suelo y las palas del ventilador.

### INSTALACIÓN ESTÁNDAR DE TECHO

Paso 1. Pase los cables de 120 voltios a través del orificio central del soporte de colgado de techo tal y como se muestra en la Figura 5.

Paso 2. Asegure el soporte de colgado en la caja de conexiones de techo con los tornillos y arandelas suministrados con su caja de conexiones.

Paso 3. Extraiga la bola de colgado de la varilla interior aflojando los tornillos, extrayendo el pin cruzado y deslizando la bola por la varilla (Figura 6).

Paso 4. Afloje los dos tornillos del set y extraiga el pin de enganche y el pin de cierre del acoplado superior del motor (Figura 7).

Paso 5. Introduzca cuidadosamente los cables del ventilador por la varilla interior. Coloque la varilla en el acoplado hasta que se alineen los orificios del pin de enganche. A continuación, vuelva a colocar ambos pines y fije los tornillos (Figura 7).

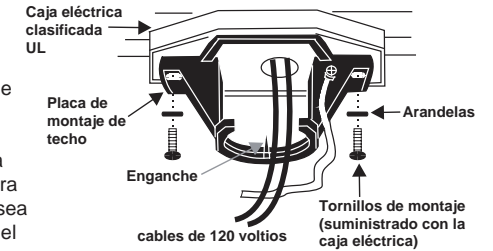


Figura 5

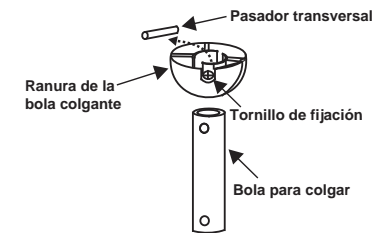


Figura 6

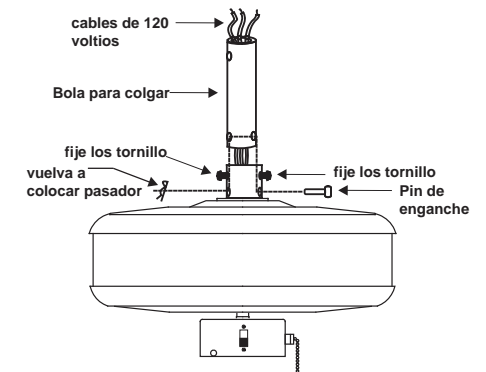


Figura 7

Paso 6. Deslice la cubierta en la varilla. Vuelva a instalar la bola de colgado en la varilla asegurándose de que el pin cruzado esté en la posición correcta, el tornillo de la bola de colgado esté bien fijado y los cables no estén doblados (Figura 8).

Paso 7. Levante el motor y póngalo en su posición, coloque la bola de colgado en el soporte de colgado. Gírelo hasta que la "pestaña de comprobación" haya entrado en la "ranura de registro" y se asiente firmemente (Figura 9). El motor no debería girar si esto se realiza correctamente.

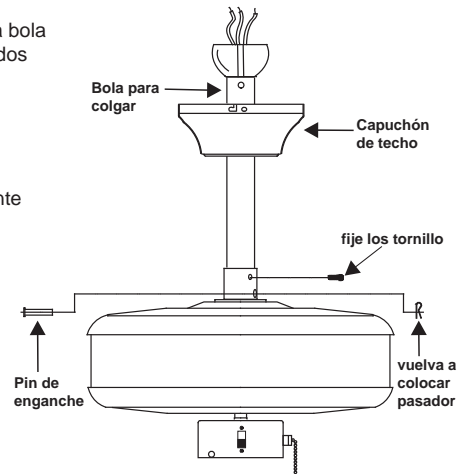


Figura 8



Figura 9

## INSTALACIÓN CERCANA AL TECHO

1. Extraiga la carcasa inferior decorativa de la cubierta (Figura 10).
2. Pase los cables de 120 voltios a través del orificio central por el soporte de colgado de techo, tal y como se muestra en la Figura 5.
3. Asegure el soporte de colgado en la caja de conexiones del techo con los tornillos y arandelas suministrados con la caja de conexiones.
4. Extraiga tres de los seis tornillos y arandelas de cierre (cada uno) del collar a la parte superior del motor (Figura 11)
5. Coloque la cubierta de techo sobre el collar en la parte superior del motor. Alinee los orificios de montaje con los orificios del motor y fíjelos usando los tornillos y arandelas de cierre suministrados (Figura 11)
6. Fije los tornillos de montaje adecuadamente (Figura 11)

**ADVERTENCIA:** Si no se fije completamente los tres tornillos en el paso 5, se podría aflojar la fijación del ventilador y posiblemente el ventilador se podría caer.

7. Cuelgue el ventilador en el gancho del soporte de colgado. Asegúrese de que la cubierta esté completamente cerrada en el enganche, tal y como se muestra en la ilustración 12. Esto le permitirá realizar las conexiones eléctricas.

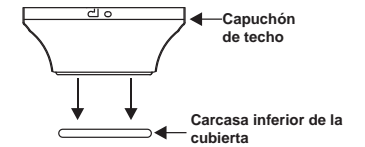


Figura 10

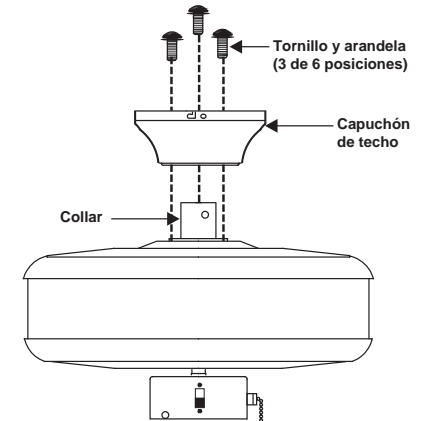


Figura 11

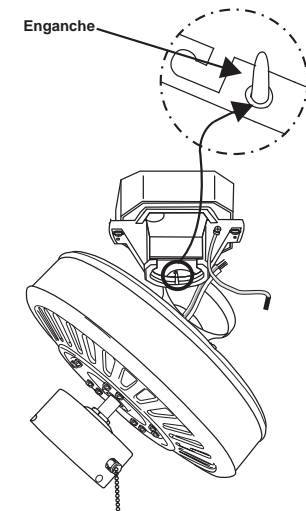


Figura 12

## 6. REALIZACIÓN DE LAS CONEXIONES ELÉCTRICAS

**Recuerde** desconectar la electricidad. Siga los pasos siguientes para conectar el ventilador al cableado de su hogar. Use las tuercas de conexión de cable suministradas con su ventilador. Asegúrese de que no hay ninguna conexión o hebra suelta.

Paso 1. Conecte el cable (negro) de la fuente de alimentación del ventilador y el cable (azul) de la fuente de alimentación de la iluminación en el cable y fuente de alimentación de su hogar, tal y como se muestra en la figura 13.

Paso 2. Conecte el cable (blanco) neutro al cable blanco neutro de su hogar.

Paso 3. Conecte el cable (verde) de toma de tierra del ventilador al cable de toma de tierra del hogar.

Paso 4. Cuando haya conectado los cables, sepárelos para que los cables verdes y blancos estén a un lado de la caja de conexiones y los cables negros y azules estén en el otro lado.

Paso 5. Ponga las tuercas de conexión hacia arriba y empuje el cable dentro de la caja de conexiones.

Las figura 14 y 15 ilustran las conexiones del cableado para el control de pared opcional (el color del cable de salida del control de pared puede variar, consulte el manual de instalación del control de pared para realizar las conexiones correctas del cableado).

**ADVERTENCIA:** PARA REDUCIR EL RIESGO DE INCENDIO, DESCARGA ELÉCTRICA U OTRO DAÑO PERSONAL, EL MONTAJE DEL VENTILADOR SOLO DEBE REALIZARSE EN UNA CAJA DE CONEXIONES O SISTEMA DE SOPORTE MARCADO COMO ADECUADO PARA EL SOPORTE DE VENTILADOR.

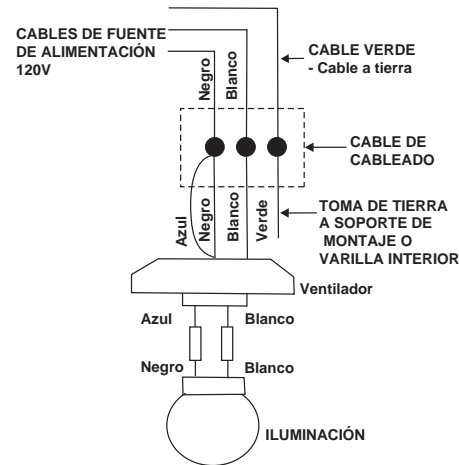


Figura 13

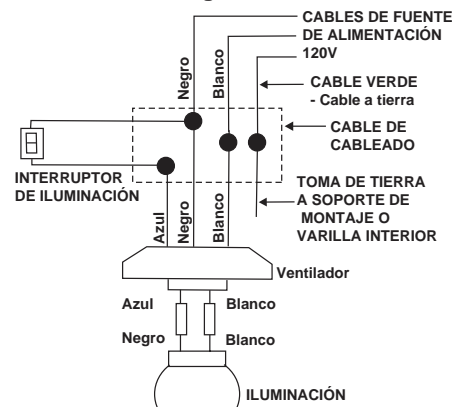


Figura 14

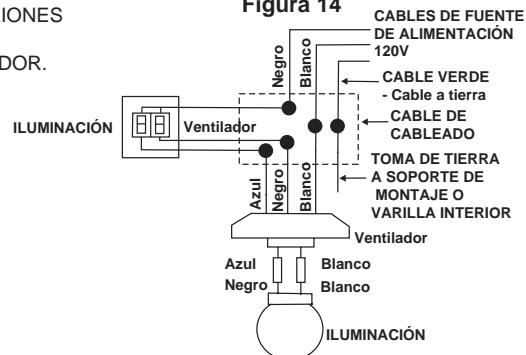


Figura 15

## 7. FINALIZACIÓN DE LA INSTALACIÓN

### INSTALACIÓN ESTÁNDAR DE TECHO

Deslice la cubierta hacia el techo como se muestra en la figura 16. Asegúrese de que coloca los cables correctamente en la caja de conexiones. Asegure la cubierta en el soporte de enganche con los cuatro tornillos suministrados con su ventilador.

### INSTALACIÓN CERCANA AL TECHO

Extraiga el ventilador del enganche del soporte de colgado. Asegure la cubierta en el soporte de colgado como se muestra en la figura 17 con los cuatro tornillos incluidos con su ventilador.

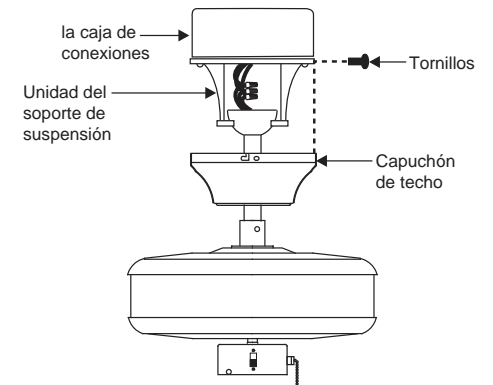


Figura 16

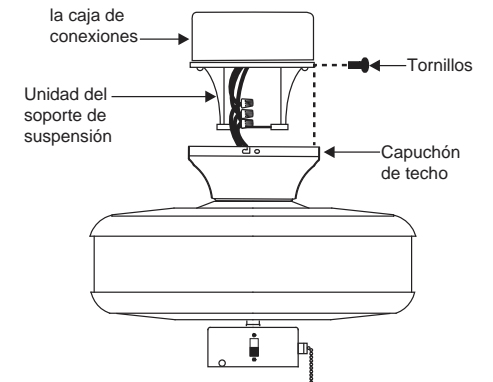


Figura 17

## 8. FIJACIÓN DE LAS PALAS DEL VENTILADOR

**Precaución:** Extraiga 5 montajes de empaquetado de goma y deséchelos antes de la instalación.

Paso 1. Fije la pala al soporte de pala usando los tornillos y arandelas de fibra, tal y como se muestra en la figura 18. Empiece por el tornillo del soporte. Repita esto con los dos tornillos restantes.

Paso 2. Fije bien cada tornillo. Asegúrese de que la pala esté recta.

Paso 3. Fije bien la pala al motor usando los tornillos suministrados (figura 18).

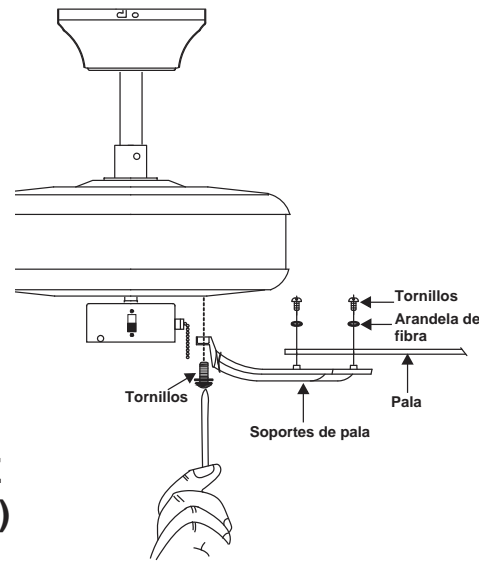


Figura 18

## 9. INSTALACIÓN DEL KIT DE ILUMINACIÓN (OPCIONAL)

**NOTA:** Antes de empezar la instalación, desconecte la electricidad desactivando el interruptor del circuito o extrayendo el fusible de la caja de fusibles. La desconexión de la electricidad usando el interruptor del ventilador no es suficiente para prevenir una descarga eléctrica.

Paso 1. Extraiga los tres tornillos de la unidad del kit de iluminación.

Paso 2. Sostenga y mantenga el kit de iluminación cerca de la carcasa del interruptor y proceda a realizar las conexiones de cableado. Conecte el cable azul de la carcasa al cable negro del kit. Siga el mismo procedimiento con los conectores negros. Use las tuercas de conexión de cables suministradas con su ventilador.

Paso 3. Fije el kit de iluminación en la carcasa del interruptor usando los tres (3) tornillos extraídos en el paso 1. (Figura 19)

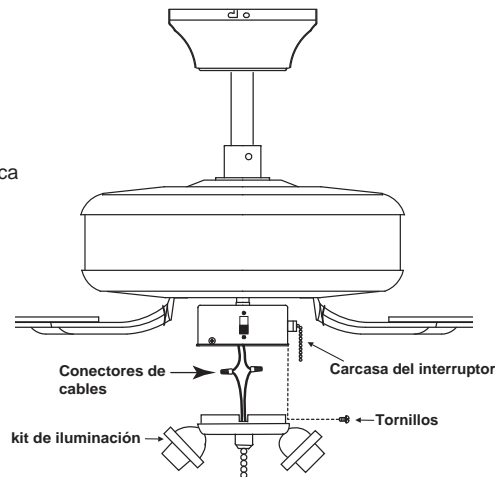


Figura 19

## 10. INSTALACIÓN DE LAS BOMBILLAS DE ILUMINACIÓN Y LAS PANTALLAS DE CRISTAL (OPCIONAL)

**NOTA:** Antes de comenzar la instalación, desconecte la electricidad desactivando el interruptor del circuito o extrayendo el fusible de la caja de fusibles.

La desconexión de la electricidad usando el interruptor del ventilador no es suficiente para prevenir una descarga eléctrica.

1. Inserte las pantallas de cristal en el kit de iluminación con los tornillos de mano. (Figura 20)
2. Instale las bombillas de candelabro de 40W (incluidas). (Figura 20)
3. Restaure la electricidad y su kit de iluminación estará listo para ser utilizado.

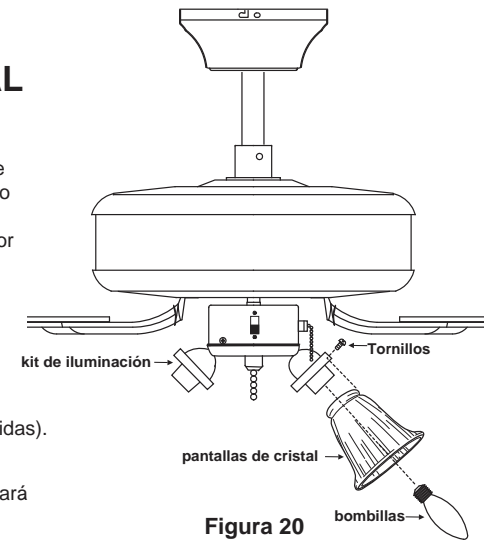


Figura 20

1. Instale las bombillas de candelabro de 60W (incluidas). (Figura 21)
2. Asegure la mampara decorativa de cristal en la unidad de iluminación usando la tuerca suministrada. A continuación, instale la cubierta junto con el remate.
3. Restaure la electricidad y su kit de iluminación estará listo para ser utilizado.

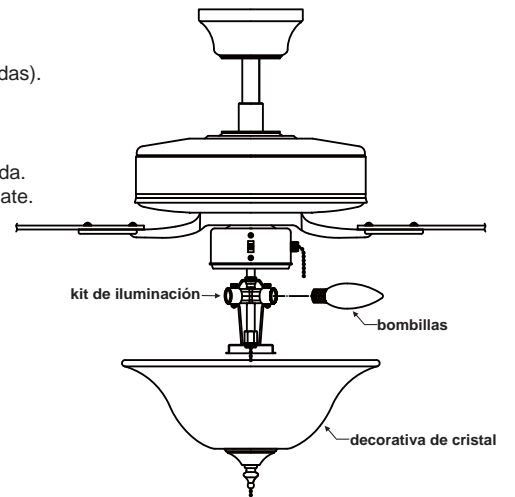


Figura 21

## 11. UTILIZACIÓN DEL VENTILADOR

Encienda el ventilador y compruebe si funciona. El interruptor de cadena controla la velocidad del ventilador de la siguiente manera:

1. Interruptor de cadena de 3 velocidades: controla la velocidad del ventilador siguiendo esta secuencia: Apagado - Alto - Medio - Bajo - Apagado.

**El rendimiento del ventilador de techo y el ahorro energético dependen mucho de una instalación correcta y del uso del ventilador de techo.**

El ajuste de velocidad para tiempo cálido o frío depende de una variedad de factores como el tamaño de la habitación, la altura del techo y el número de ventiladores. Para obtener la mejor eficiencia energética, el ventilador debería estar instalado en la mitad de la habitación y al menos a 7 pies del suelo y a 18 pulgadas de las paredes. Si la altura del techo lo permite, instale el ventilador a 8-9 pies del suelo para obtener un flujo de aire óptimo.

2. Interruptor de cadena del kit de iluminación (opcional): ENCIENDE Y APAGA EL KIT DE ILUMINACIÓN.

El interruptor deslizante controla las direcciones: adelante (hacia abajo) o reverso (hacia arriba).

**NOTA:** Espere a que el ventilador se detenga antes de cambiar la configuración del interruptor deslizante.

Tiempo cálido - (adelante). Un flujo hacia abajo crea un efecto refrescante, tal y como se muestra en la figura 21. Esto le permite configurar su aire acondicionado en un ajuste más cálido sin afectar su confort.

Tiempo frío - (reverso). Un flujo hacia arriba mueve el aire cálido fuera de la zona del techo, tal y como se muestra en la figura 22. Esto le permite configurar su calefacción en un ajuste más frío sin afectar su confort.

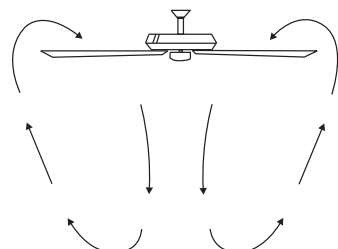


Figura 21

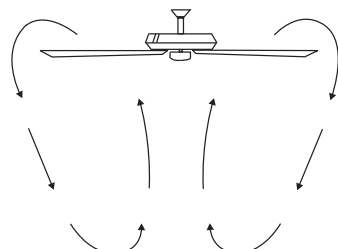


Figura 22

**CONSEJO DE AHORRO ENERGÉTICO:**  
**Apague el ventilador cuando no esté en la habitación**

Los ventiladores de techo refrescan a las personas, no a las habitaciones. Si la habitación no está ocupada por personas, apague el ventilador de techo para ahorrar electricidad.

## 12. CUIDADO DE SU VENTILADOR

A continuación le proponemos unas sugerencias para ayudarle a mantener bien su ventilador

1. Debido al movimiento natural del ventilador, algunas conexiones podrían aflojarse. Compruebe las conexiones, soportes y fijaciones de palas dos veces al año. Asegúrese de que estén bien fijadas. (No es necesario extraer el ventilador del techo).
2. Limpie periódicamente su ventilador para ayudarle a mantener una apariencia nueva a lo largo de los años. Use solo un cepillo suave o un paño sin hebras para evitar cualquier arañazo al acabado del ventilador. El enchapado está sellado con una laca para minimizar la decoloración o el deslustro. No use agua cuando limpie el ventilador. Esto podría dañar el motor, la madera o podría causar una descarga eléctrica.
3. Puede aplicar un ligera capa de abrillantador de muebles en las palas de madera para añadir una protección adicional y realzar su belleza. Cubra pequeños arañazos con una ligera aplicación de abrillantador de zapatos.
4. No necesita añadir aceite a su ventilador. El motor tiene los rodamientos lubricados permanentemente.

**IMPORTANTE:** ASEGÚRESE DE QUE LA ELECTRICIDAD ESTÉ DESCONECTADA DEL CUADRO DE MANDOS ELÉCTRICOS ANTES DE REALIZAR ALGUNA REPARACIÓN. CONSULTE LA SECCIÓN "REALIZACIÓN DE CONEXIONES ELÉCTRICAS".

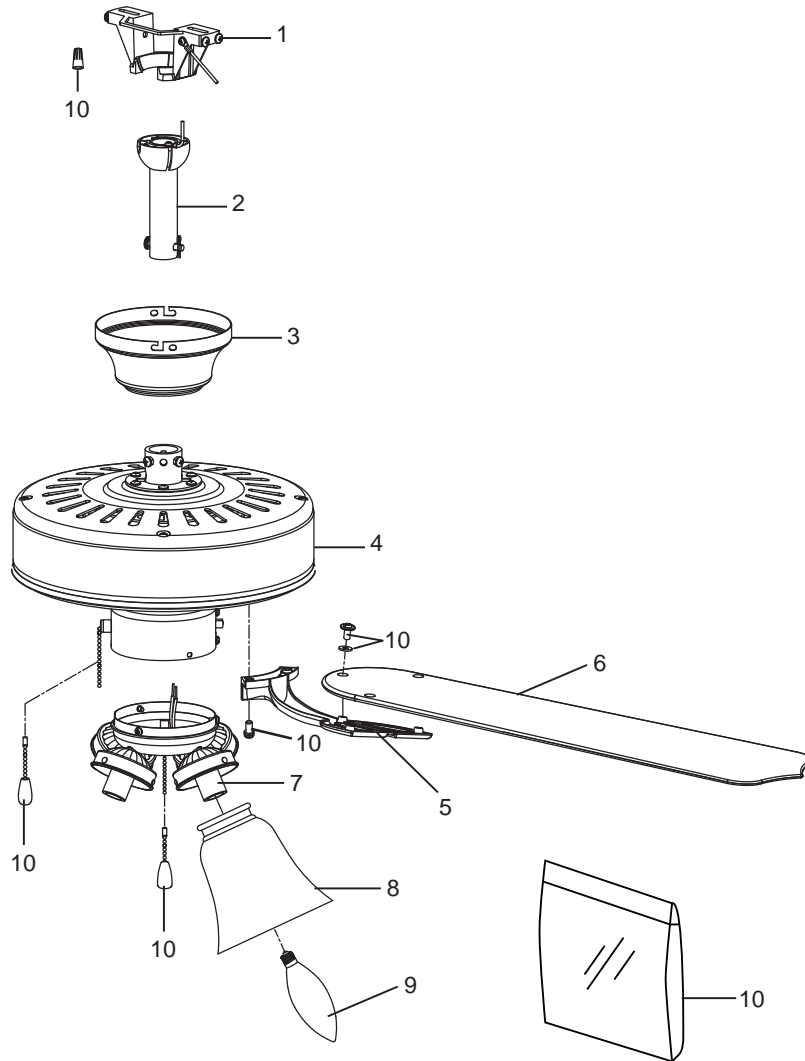
## 13. RESOLUCIÓN DE PROBLEMAS

Problema	Solución
El ventilador no se enciende.	<ol style="list-style-type: none"> <li>1. Compruebe las conexiones y los fusibles del circuito.</li> <li>2. Compruebe las conexiones del cableado hacia el ventilador y cambie las conexiones de cable en la carcasa del interruptor. <b>PRECAUCIÓN:</b> Asegúrese de que la electricidad esté desactivada.</li> </ol>
El ventilador hace mucho ruido.	<ol style="list-style-type: none"> <li>1. Asegúrese de que los tornillos de la carcasa del motor estén bien ajustados.</li> <li>2. Asegúrese de que los tornillos que fijan los soportes de las palas al motor estén bien fijados.</li> <li>3. Asegúrese de que las conexiones de las tuercas de cable no estén tocándose entre ellas o con la pared interior de la carcasa del interruptor. <b>PRECAUCIÓN:</b> Asegúrese de que la electricidad esté desactivada.</li> <li>4. Espere durante un periodo de rodaje de 24 horas. La mayoría de los ruidos asociados a un nuevo ventilador desaparece durante este tiempo.</li> <li>5. Si está usando un kit de iluminación adicional, asegúrese de que los tornillos que fijan la cristalería estén bien fijados. Compruebe que las bombillas estén bien puestas.</li> <li>6. Algunos motores de ventilador son sensibles a las señales de los controladores de velocidad variable de estado sólido. Si ha instalado este tipo de control, seleccione e instale otro tipo de control.</li> <li>7. Asegúrese de que la cubierta superior esté a una pequeña distancia del techo. No debería tocar el techo.</li> </ol>
El ventilador se tambalea.	<ol style="list-style-type: none"> <li>1. Compruebe que todos los tornillos de las palas y de los brazos de las palas estén bien fijados.</li> <li>2. La mayoría de los problemas de tambaleo son causados cuando el nivelado de las palas no son iguales. Compruebe este nivelado seleccionando un punto en el techo cercano a la punta de una de las palas. Mida esta distancia. Gire el ventilador hasta que la siguiente pala se coloque en ese punto para medirla. Repita este proceso con cada pala. La desviación de distancia debería estar dentro de 1/8".</li> <li>3. Si el tambaleo de la pala todavía es visible, cambie dos palas adyacentes (lado a lado) para intentar redistribuir el peso y obtener un mejor funcionamiento.</li> </ol>



BP210B\*\*1 & BP215B\*\*1

**Ilustración del despiece**



**NOTA:** la ilustración que se muestra no está hecha a escala y su configuración real puede variar.

Lista de piezas  
Modelos N.º BP210B\*\*1 & BP215B\*\*1

N.º de Ref	Descripción	BP210B**1 Pieza # N.º	BP215B**1 Pieza # N.º
1	Unidad del soporte de suspensión	APGAC111**	APGAC111BL
2	Unidad del barral/de la semiesfer	ADRAC1-45**	ADRAC1-45OB
3	Capuchón de techo	APPAC1002**	APPAC1002OB
4	Unidad del motor	AMA0210B**1	AMA0215BOB1
5	Juego de soporte de aspas	AP020012**	AP020012OB
6	Juego de aspas	AP020003**	AP020003OB
7	Sujeción	F210B**	F210BOB
8	Cristal	P021501**	P021501F
9	LED bombilla	PPLSE12L0400	PPLSE12L0400
10	<i>Bolsa de accesorios:</i>	HDWBP210B**	HDWBP210B**
	Conectores de los cables (4)		
	Ensamblaje de Kits de Cadena (2)		
	<i>Bolsa de accesorios para el montaje de aspas:</i>		
	Tornillos de cabeza de arandela 3 / 16"-24 con arandelas de fibra (16)		
	<i>Bolsa de accesorios para el montaje de los soportes de aspas:</i>		
Tornillos de cabeza Phillips 1 / 4"-20 con arandelas de seguridad (11)			

**Antes de desechar los materiales de embalaje, asegúrese de haber extraído todas las piezas.**

**Cómo hacer un pedido de piezas**

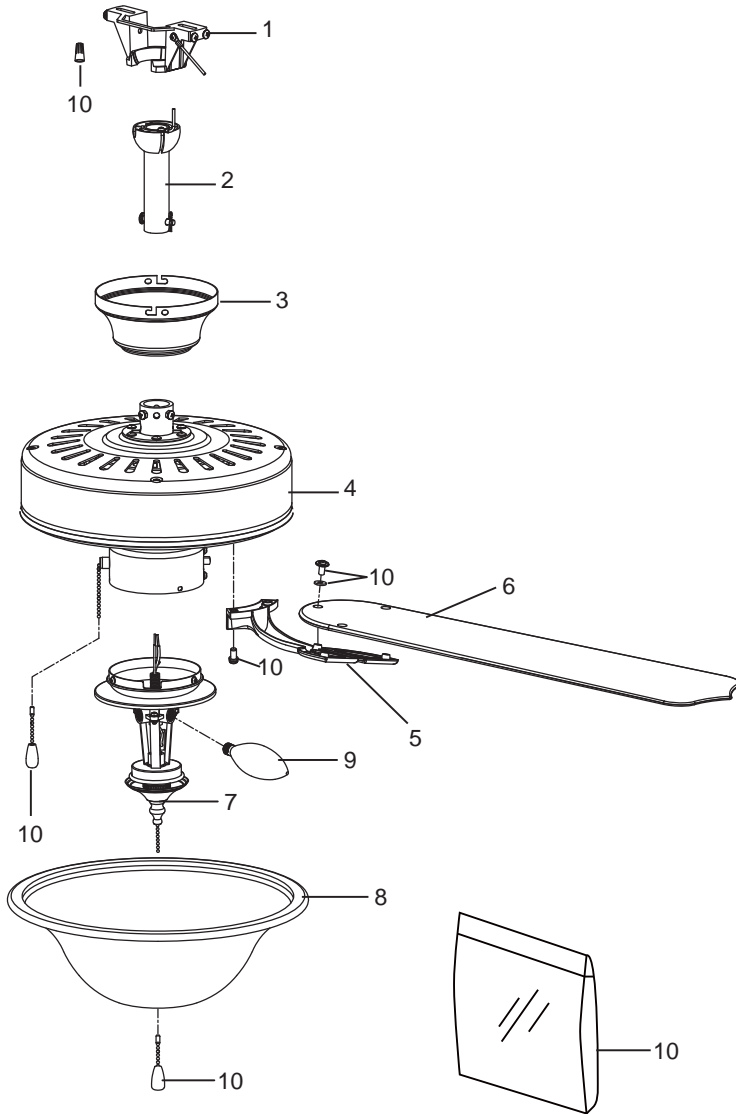
Al hacer un pedido de piezas de repuesto, proporcione siempre la siguiente información:

- Número de pieza
- Descripción de la pieza
- Número de modelo del ventilador

Póngase en contacto con su tienda para obtener las piezas de repuesto.

# BP220B\*\*1 & BP225B\*\*1

## Ilustración del despiece



**NOTA:** la ilustración que se muestra no está hecha a escala y su configuración real puede variar.

## Lista de piezas Modelos N.º BP220B\*\*1 & BP225B\*\*1

N.º de Ref	Descripción	BP220B**1 Pieza # N.º	BP225B**1 Pieza # N.º
1	Unidad del soporte de suspensión	APGAC111**	APGAC111BL
2	Unidad del barral/de la semiesfer	ADRAC1-45**	ADRAC1-45OB
3	Capuchón de techo	APPAC1002**	APPAC1002OB
4	Unidad del motor	AMA0220B**1	AMA0225BOB1
5	Juego de soporte de aspas	AP020012**	AP020012OB
6	Juego de aspas	AP020003**	AP020003CYWA
7	Sujeción	F220B**	F220BOB
8	Cristal	P022001**	P022001F
9	LED bombilla	PPLSE12L0400	PPLSE12L0400
10	<i>Bolsa de accesorios:</i>	HDWBP210B**	HDWBP210B**
	Conectores de los cables (4)		
	Ensamblaje de Kits de Cadena (2)		
	<i>Bolsa de accesorios para el montaje de aspas:</i>		
	Tornillos de cabeza de arandela 3 / 16"-24 con arandelas de fibra (16)		
	<i>Bolsa de accesorios para el montaje de los soportes de aspas:</i>		
Tornillos de cabeza Phillips 1 / 4"-20 con arandelas de seguridad (11)			

**Antes de desechar los materiales de embalaje, asegúrese de haber extraído todas las piezas.**

### Cómo hacer un pedido de piezas

Al hacer un pedido de piezas de repuesto, proporcione siempre la siguiente información:

- Número de pieza
- Descripción de la pieza
- Número de modelo del ventilador

Póngase en contacto con su tienda para obtener las piezas de repuesto.



FANIMATION\*  
SHOWROOM COLLECTION

10983 Bennett Parkway Zionsville, IN 46077  
Llame sin cargo al (888) 567-2055 FAX (866) 482-5215  
Desde fuera de los EE.UU., llame al (317) 733-4113  
Visite nuestro sitio Web en [www.fanimation.com](http://www.fanimation.com)

Copyright 2019 Fanimation  
2019/02 V.01